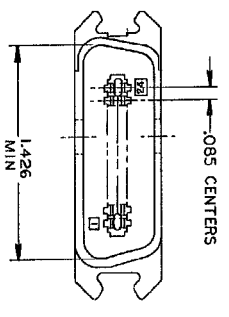
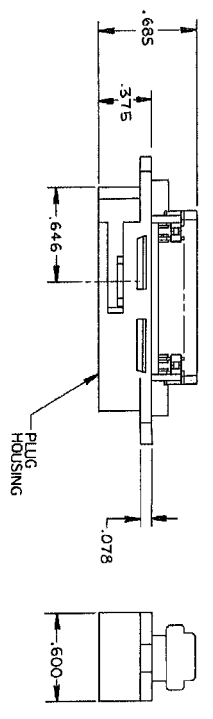
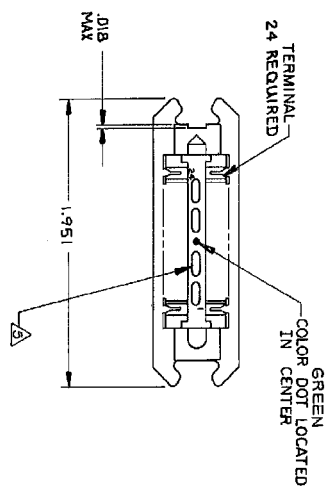


| REV | DATE     | DESCRIPTION               | BY | CHKD |
|-----|----------|---------------------------|----|------|
| 00  | 10/29/07 | REVISED FOR ESD-88-008233 | J  |      |



1. THE CONTACT SURFACES OF THE TERMINALS ARE COATED WITH LUBRICANT.
2. ALL DIMENSIONS SHOWN ARE FOR REFERENCE ONLY UNLESS OTHERWISE SPECIFIED.
3. MATERIAL:  
 HOUSING - THERMOPLASTIC (BLACK)  
 TERMINALS - HIGH STRENGTH COPPER ALLOY PLATED WITH .000030 MIN GOLD, OR, GOLD FLASH OVER .000030 MIN PALLADIUM NICKEL ON CONTACT MATING SURFACE. .000050 MIN NICKEL UNDERPLATE OVER ENTIRE TERMINAL.
4. WIRE SIZE: 22 AWG SOLID OR 22 AWG 7 STRANDS OF COPPER CONDUCTORS. MAX INSULATION DIAMETER OF .046 IS ACCEPTABLE FOR MOST APPLICATIONS.

△ CORING MAY OR MAY NOT APPEAR AND IS AT THE DISCRETION OF TYCO ELECTRONICS.

|                                       |  |     |          |                           |    |      |
|---------------------------------------|--|-----|----------|---------------------------|----|------|
| THIS DRAWING IS A CONTROLLED DOCUMENT |  | REV | DATE     | DESCRIPTION               | BY | CHKD |
| DIMENSIONS IN CHES                    |  | 0   | 10-29-07 | REVISED FOR ESD-88-008233 | J  |      |
| TOLERANCES UNLESS OTHERWISE SPECIFIED |  | 0   | 10-29-07 | REVISED FOR ESD-88-008233 | J  |      |
| APPLICATION SPEC                      |  | 0   | 10-29-07 | REVISED FOR ESD-88-008233 | J  |      |
| CUSTOMER DRAWING                      |  | 0   | 10-29-07 | REVISED FOR ESD-88-008233 | J  |      |

|             |          |
|-------------|----------|
| AS SHOWN    | 552317-1 |
| DESCRIPTION | PART NO  |

K. SHELTON  
 1700 Electronics Corporation  
 Harrisburg, PA 17105-5088  
 PLUG ASSY, 24 POSITIONS, C SLOT  
 BALL LOCK, CHAMP-LOK  
 DATE CODE (PARTIAL NO)  
 552317  
 1 of 1